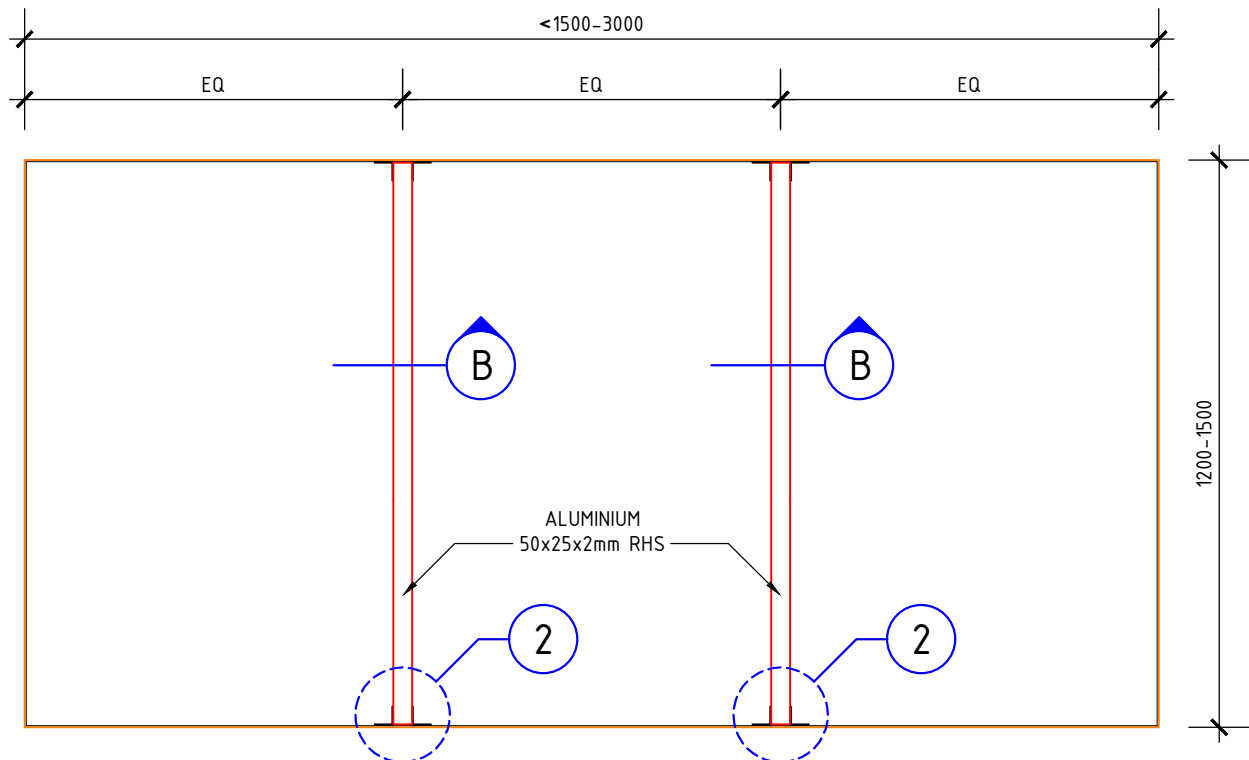


STIFFENERS FOR PANELS 1500-3000 IN LENGTH AND ≤ 1200 IN WIDTH
SCALE: 1:20

NOTE:

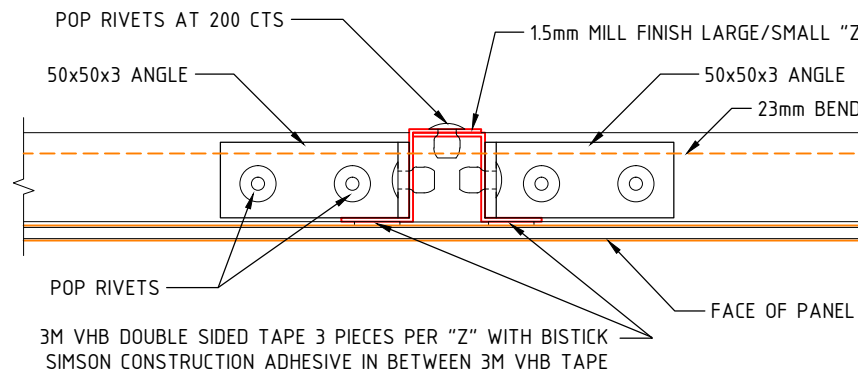
THESE ARE EXAMPLE ONLY OF PANEL STIFFENERS AND SHOULD BE ASSESSED ON A PROJECT BY PROJECT BASIS TO ENSURE COMPLIANCE IS ACHIEVED FOR SITE SPECIFIC TERRAIN CATEGORY-WIND LOAD



STIFFENERS FOR PANELS 1500-3000 IN LENGTH AND 1200-1500 IN WIDTH
SCALE: 1:20

NOTE:

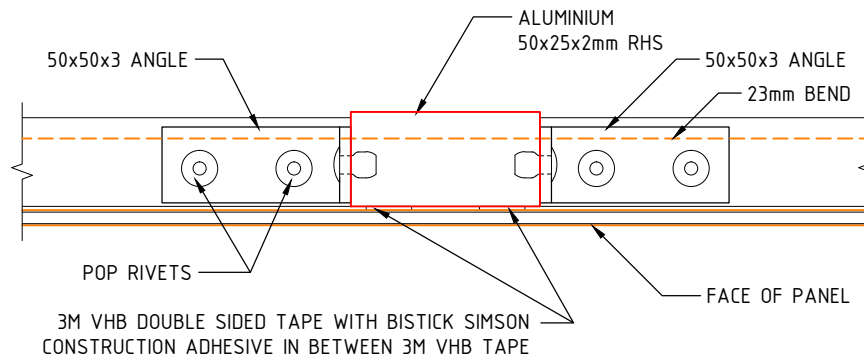
THESE ARE EXAMPLE ONLY OF PANEL STIFFENERS AND SHOULD BE ASSESSED ON A PROJECT BY PROJECT BASIS TO ENSURE COMPLIANCE IS ACHIEVED FOR SITE SPECIFIC TERRAIN CATEGORY-WIND LOAD



SECTION A-A

SCALE 1:2

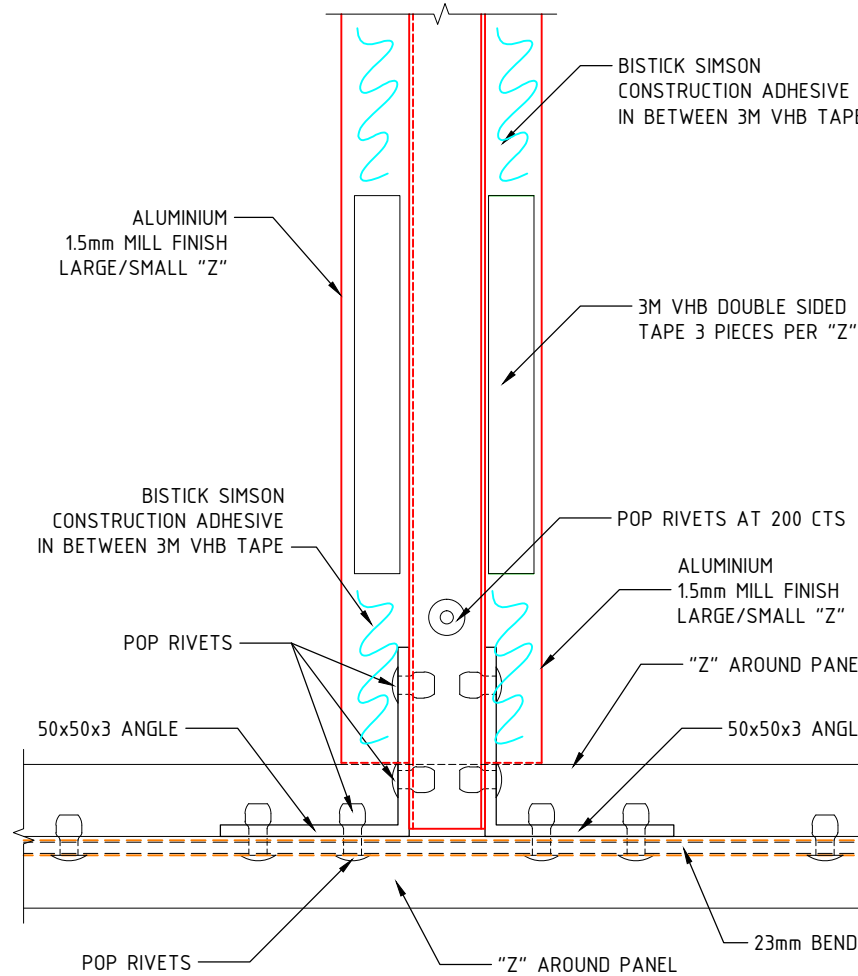
DETAILS FOR "Z" STIFFENER



SECTION B-B

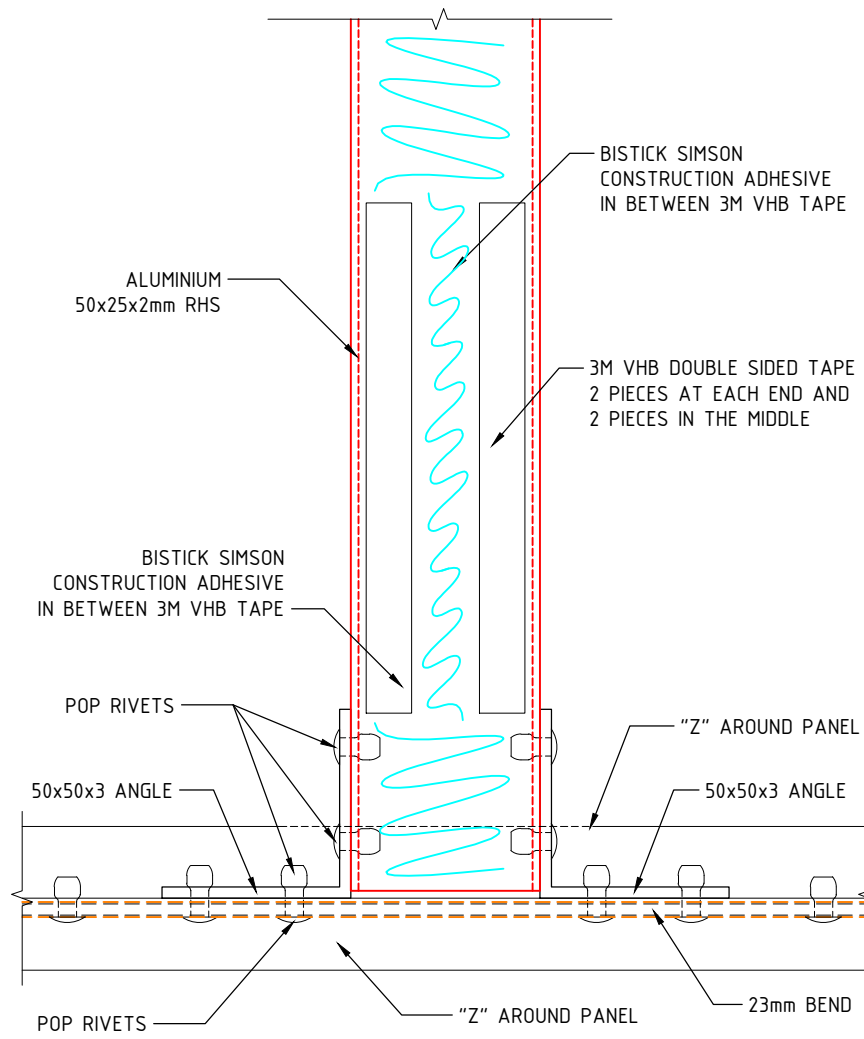
SCALE 1:2

DETAILS FOR 50x25x2mm RHS STIFFENER



PLAN DETAIL 1

SCALE 1:2



PLAN DETAIL 2

SCALE 1:2